

# Bell Hydromatics

## Fixed Displacement Vane Pumps

### Single Pumps



### IVP(Q)41



#### IVP(Q)41 DoublePumps Max. Continuous Pressures

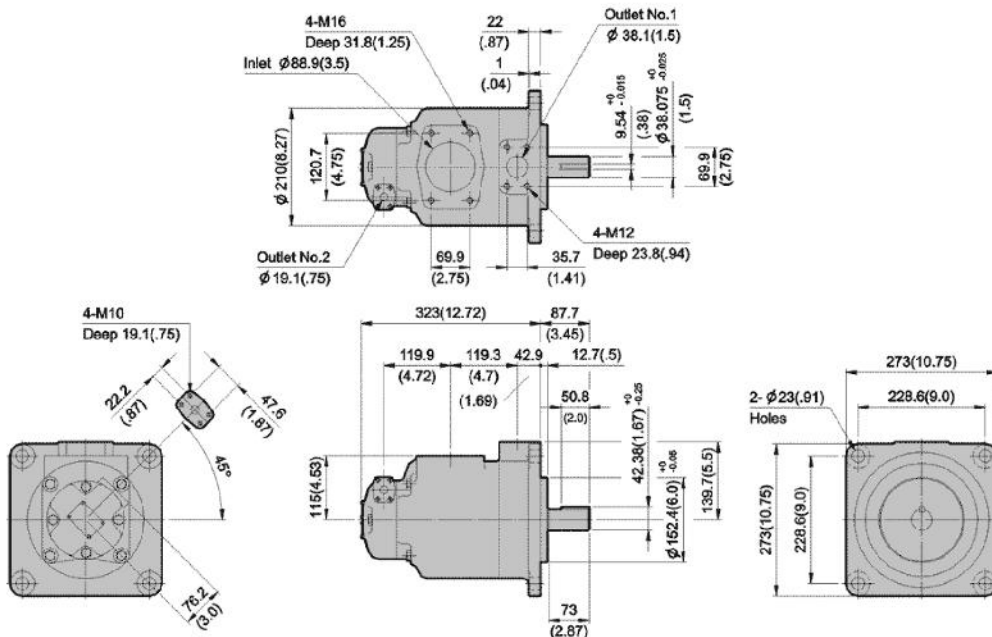
Model	Shaft end Pump (No.1 Outlet)			Cover end Pump (No.2 Outlet)			Max. Speed rpm	Min. Speed rpm
	Code	Geometric Displacement cm <sup>3</sup> /r	Max. Pressure bar	Code	Geometric Displacement cm <sup>3</sup> /r	Max. Pressure bar		
IVP(Q)41	30	96.0	♣172 F3 = 69 F11 = 157	10	31.0	♣207	1800 F3 = 1200 F11 = 1500	600
	35	109		11	35.0	F3 = 69		
	38	128				F11 = 157		
	42	134		12	37.9	♣157		
	50	156				F3 = 69		
	60	189		F11 = 138				
	67	210		14	44.2	♣138		
	72	236				F3 = 69		
					F11 = 138			

◆ Rated capacity in USgpm at 1200 rpm and 6.9 bar.

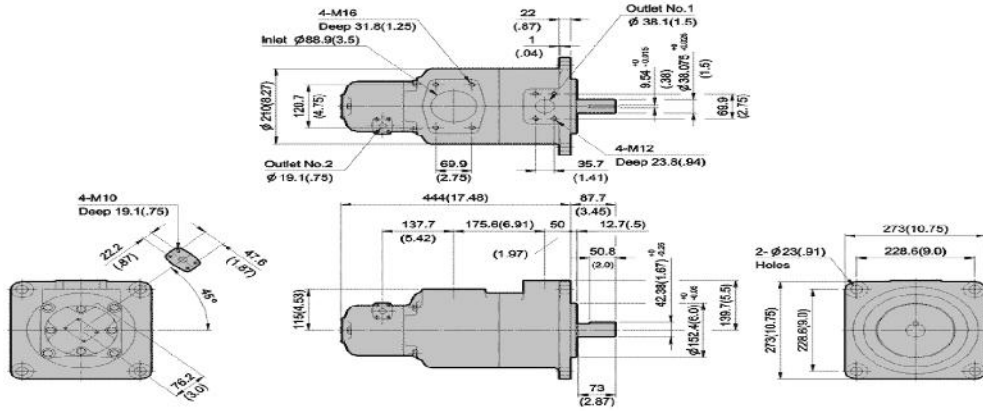
♣ Transient (peak) pressure 10% over the max. continuous pressure rating for 0.5 seconds or less duration is allowed.

#### Dimensions

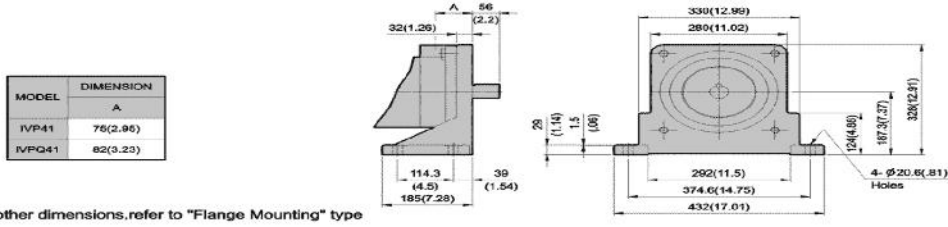
##### IVP41 Double Pumps: Flange Mounting



**IVPQ41 Double Pumps: Flange Mounting**



**IVP(Q)41 Double Pumps: Foot Mounting**

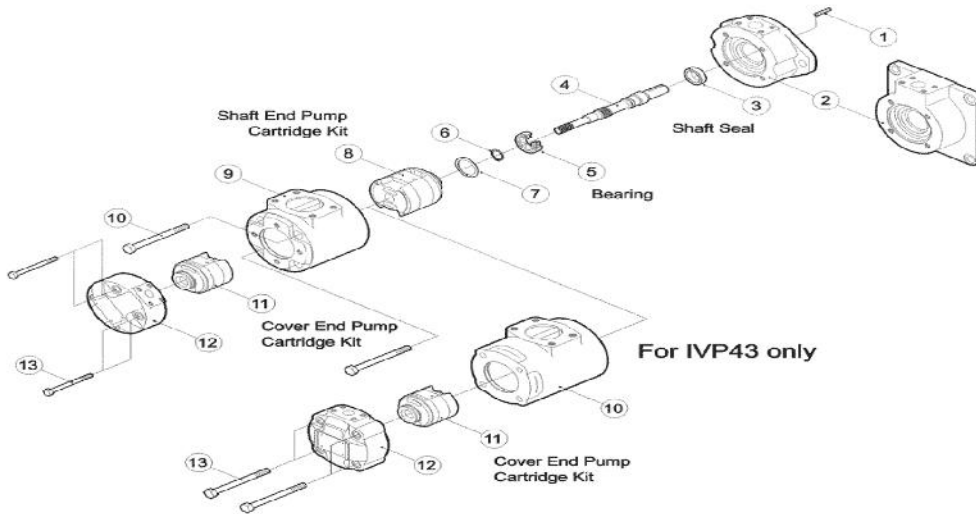


MODEL	DIMENSION
IVP41	76(2.96)
IVPQ41	82(3.23)

For other dimensions, refer to "Flange Mounting" type

**Assembly**

**IVP41 Double Pumps – Assembly**



**IVPQ41 Double Pumps – Assembly**

